

CELSICE
10.04

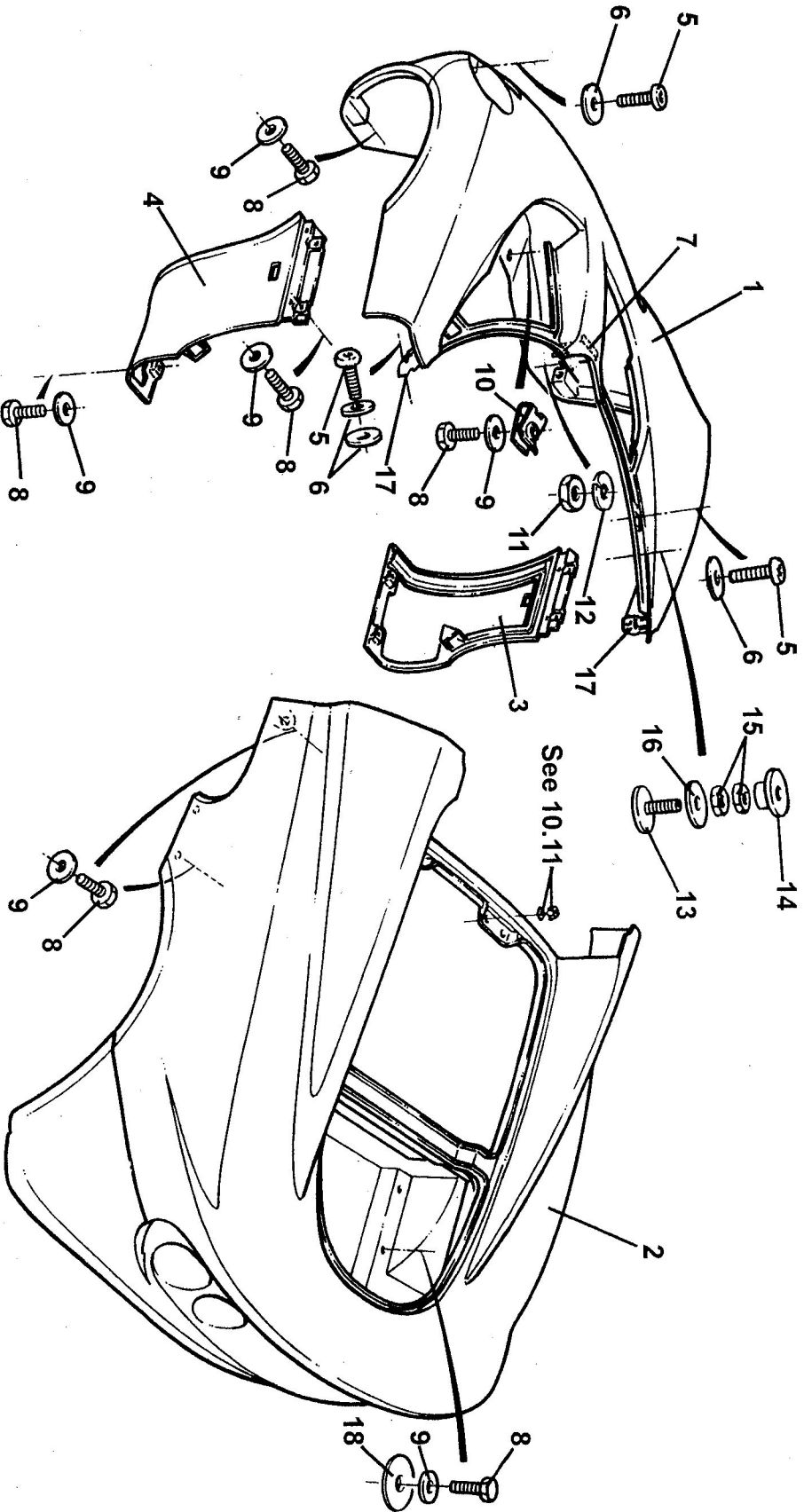
Service Parts List



Function Code 34.01 Wheels, Tyres & Valves

Dep	Part Description	Remarks	Option	Part Number	Qty
01	Wheel & Tyre Assy., front, silver wheel, LH	Do not use on 111/111S	Standard	C117G0019F	1
01a	Wheel & Tyre Assy., front, silver wheel RH	Do not use on 111/111S	Standard	C117G0020F	1
01b	Wheel & Tyre Assy., front, black wheel LH	Do not use on 111/111S	Optional	A117G0067F	1
01c	Wheel & Tyre Assy., front, black wheel RH	Do not use on 111/111S	Optional	A117G0068F	1
02	Tyre, front, 175/55 R16, Bridgestone Potenza			A117G0005L	2
02a	Winter Tyre, front, 195/50 R16, Pirelli W210 Snowsport	Use OE type wheels	Dealer fit	A117G0119S	2
03	Road Wheel, front, silver, 5.5J x 16	Do not use on 111/111S	Standard	D117G0014H	2
03a	Road Wheel, front, black, 5.5J x 16	Do not use on 111/111S	Optional	D117G0024H	2
03b	Road Wheel, front, gold, 5.5J x 16	Do not use on 111/111S	'Type 72'	A117G0111H	2
04	Wheel & Tyre Assy., rear, silver wheel, LH	Do not use on 111/111S	Standard	C117G0021F	1
04a	Wheel & Tyre Assy., rear, silver wheel, RH	Do not use on 111/111S	Standard	C117G0022F	1
04b	Wheel & Tyre Assy., rear, black wheel, LH	Do not use on 111/111S	Optional	A117G0069F	1
04c	Wheel & Tyre Assy., rear, black wheel, RH	Do not use on 111/111S	Optional	A117G0070F	1
05	Road Wheel, rear, silver, 7.5J x 17	Do not use on 111/111S	Standard	D117G0015H	2
05a	Road Wheel, rear, black, 7.5J x 17	Do not use on 111/111S	Optional	D117G0025H	2
05b	Road Wheel, rear, gold, 7.5J x 17	Do not use on 111/111S	'Type 72'	A117G0112H	2
06	Tyre, rear, 225/45 R17, Bridgestone Potenza			A117G0018L	2
06a	Winter Tyre, rear, 225/40 R17, Pirelli W210 Snowsport	Use OE type wheels	Dealer fit	A117G0121S	2





ELISE
 10.01

Service Parts List



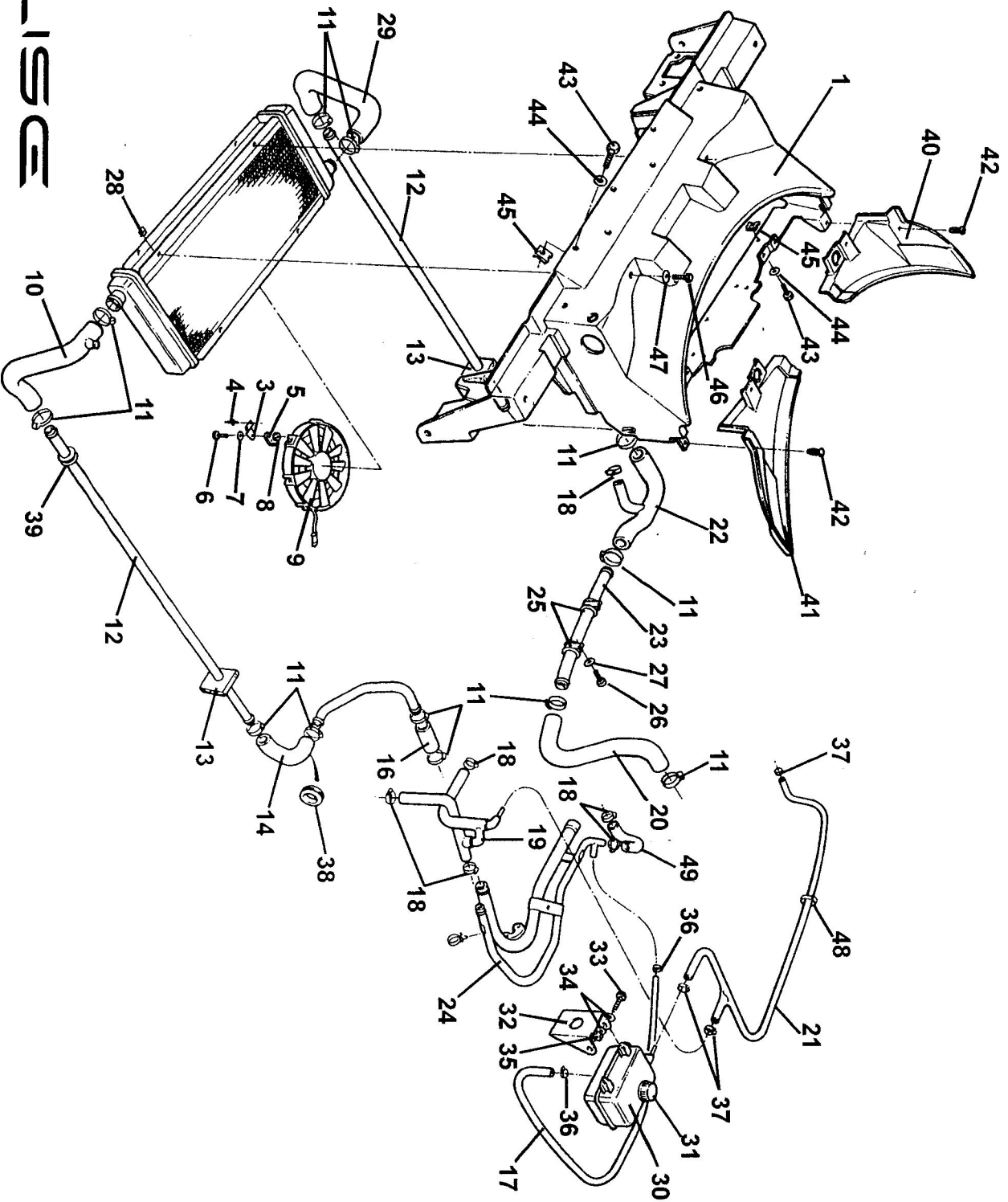
Function Code 10.01 Body: Front & Rear Clamshells & Fixings

Dep	Part Description	Remarks	Option	Part Number	Qty
01	Front Clamshell			A117B0003K	1
02	Rear Clamshell	May have to be modified for 111/111S*, see below		B117B0017K	1
03	Door Hinge Cover Panel, RH			A117B0220K	1
04	Door Hinge Cover Panel, LH			A117B0219K	1
05	Screw, M8 x 25, S/S, button hd.			A111W7175F	6
06	Washer, flat, S/S, M8 x 21 x 1.6			A111W4176F	8
07	Bracket, centre front clamshell	Part of clamshell assy.		C117B0193F	1
08	Screw, M6 x 16, hex. hd.			A075W1028Z	19
08a	Screw, M6 x 12, hex. hd.	Rear clam. to sill panel	2 RH, 1 LH	A075W1027Z	3
09	Washer, flat, M6 x 18 x 1			B082W4018F	22
10	Spirenut, M6			B100W6372F	3
11	Nut, M6			A075W3020Z	2
12	Washer, spring, M6			A075W4035F	2
13	Spigot, outer fixing, front access panels			A117B0334F	2
14	Shouldered Nut, outer fixing, front access panels			A117B0335F	2
15	Locknut, M10, height adjuster fix.			A075W3024Z	4
17	Bracket, front clamshell	Part of clamshell assy.		B117B0163F	2
18	Shim, boot floor to longerons			A111F0005K	5



Function Code 10.01 Body: Front & Rear Clamshells & Fixings

<u>Dep</u>	<u>Part Description</u>	<u>Remarks</u>	<u>Option</u>	<u>Part Number</u>	<u>Qty</u>
19	Buffer, self adhesive, clamshell to shroud	Not illustrated		A111J6027F	2
20	Pad, front clamshell mounting to rad. housing	Not illustrated		A117U0163F	2
21	Drain Tube, headlamp	Not illustrated		A117M6030F	2
		*If early boot bulkhead fitted, provide clearance for VVC intake plenum by fitting Sport 135 infill panel: A117B0339H (see Service Notes or LSL421)	111/111S		



ELISE
 46.01

Service Parts List **CELSICE**



Function Code 46.01 Engine Cooling System & Fan

<u>Dep</u>	<u>Part Description</u>	<u>Remarks</u>	<u>Option</u>	<u>Part Number</u>	<u>Qty</u>
01	Radiator Housing		E117B0151F R/B	F117B0151F	1
02	Radiator			A111K0021F	1
03	Bracket, radiator fan mtg.			A111K0001F	4
04	Pop Rivet			A075W6087Z	8
05	Bracket, radiator fan mtg.			A111K6003F	4
06	Setscrew, M6 x 16			A075W1028Z	4
07	Washer, M6			A075W4017Z	4
08	Nyloc Nut, M6			A907E6285F	4
09	Radiator Cooling Fan			A111K6002F	1
10	Hose, pipe to radiator, LH			A111K0007F	1
11	Hose Clip, 25-40mm			A075M6145F	12
12	Pipe, chassis water rail			A111K0041F	2
13	Seal, pipe to chassis			A111A0033F	4
14	Hose, engine inlet			A111K0016F	1
15	Pipe, engine inlet			A111K0017F	1
16	Hose, engine inlet			A111K0015F	1
17	Hose, header tank to engine			A079P4056F	1
18	Hose Clip, 16-25mm			A079K6018F	11



Function Code 46.01 Engine Cooling System & Fan

<u>Dep</u>	<u>Part Description</u>	<u>Remarks</u>	<u>Option</u>	<u>Part Number</u>	<u>Qty</u>
19	Hose, coolant bypass heater return			A111K0004K	1
20	Hose, engine water outlet			C111K0023F	1
21	Hose, header tank bleed			A111K0040F	1
22	Hose, engine outlet/heater feed			C111K0002F	1
23	Pipe, engine outlet			B111K0024F	1
24	Coolant Pipe, engine return	Mounted on engine		A111E6229S	1
25	'P' Clip			A111W6573F	1
26	Setscrew, M8 x 25			A075W1039Z	1
27	Washer, M8			A075W4020Z	3
28	Cage Nut, rad. to housing			A100W6362F	4
29	Hose, pipe to radiator, RH			A111K0008F	1
30	Header Tank			A111K6004F	1
31	Pressure Cap			A111K6001F	1
32	Bracket, header tank mounting			C111K0003F	1
33	Setscrew, M6 x 25 S/S			A918W115F	2
34	Washer, flat, M6			A075W4015Z	4
35	Nyloc Nut, M6			A907E6285F	2
36	Hose Clip, 20-32mm			B907E6085F	2
37	Hose Clip, 8-16mm			A082L6042F	3
38	Grommet, hose through chassis rear			A082K6022F	2
39	Grommet, pipe through chassis front			A111K6006F	2

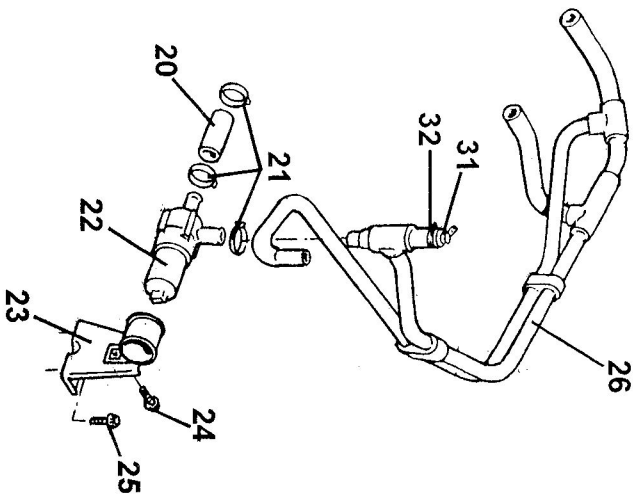
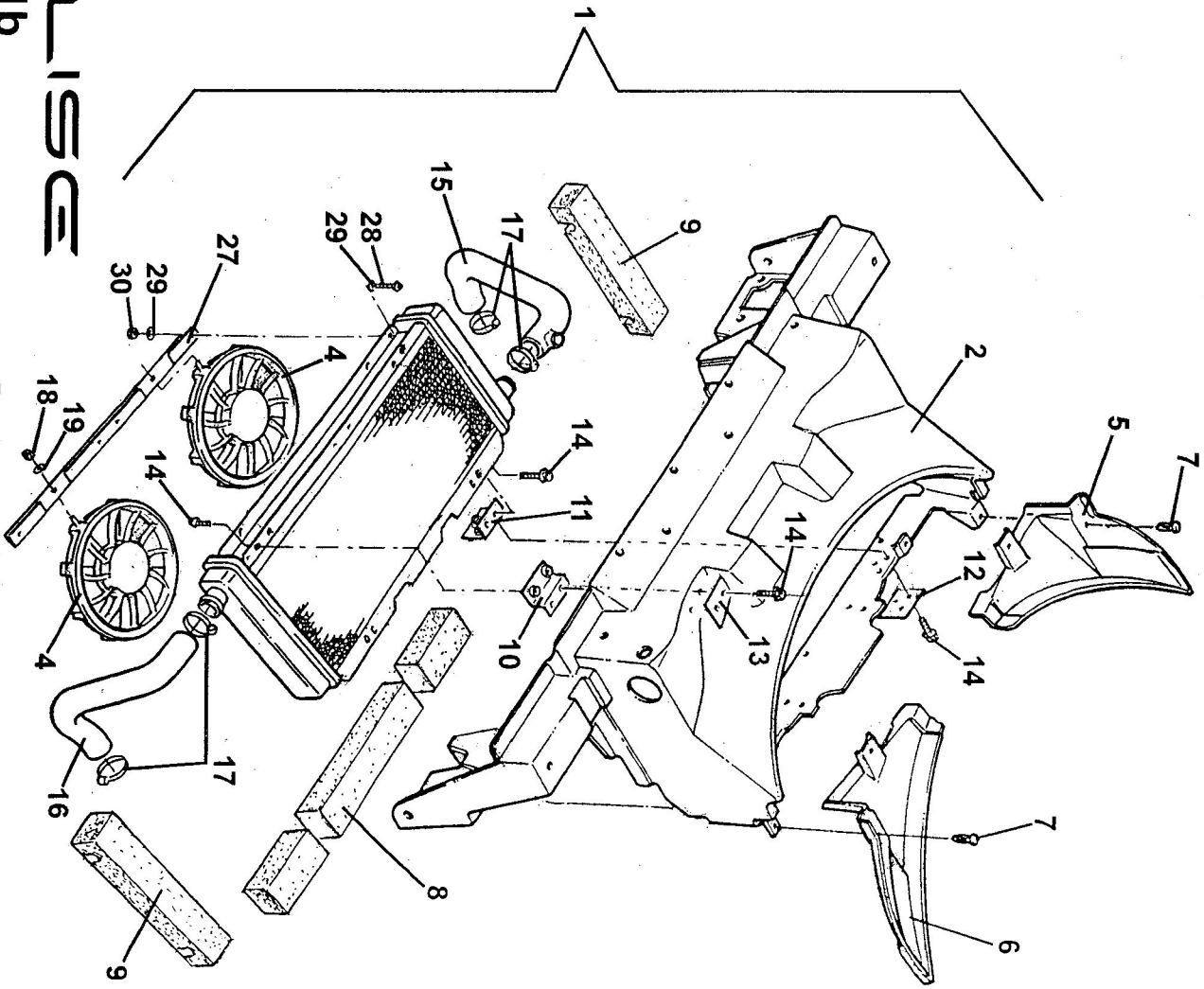


Function Code 46.01 Engine Cooling System & Fan

<u>Dep</u>	<u>Part Description</u>	<u>Remarks</u>	<u>Option</u>	<u>Part Number</u>	<u>Qty</u>
40	Shroud. radiator, RH		A117B0152F R/B	B117B0152F	1
41	Shroud. radiator, LH		A117B0241F R/B	B117B0241F	1
42	Screw, M% x 16, hex. hd., shroud fix.		A111W6535F R/B	A075W1085	4
43	Screw, M5 x 20, skt. button hd., hsg. to crash structure	Stainless steel	A082W5107F R/B	A082W7173F	6
44	Washer, flat, 0.75", housing to crash structure		A075W4009Z R/B	A340W4183F	6
45	Spirenut, M5, housing to crash structure			A117W6697F	6
46	Setscrew, M6 x 16, hex. hd., rad. to housing			A075W1028Z	4
47	Washer, flat, M6 x 25 x 1.4			A075W4017Z	4
48	Clip			A082W6587F	2
49	Hose, bypass, pipe to thermostat			A111E6459S	1
50	Foam, radiator sealing	Not illustrated	B117B0282F R/B	C117B0282F	2
51	Antifreeze	Not illustrated		A082K6063V	4 Ltr

ELISE

46.01b



Service Parts List



Function Code 46.01b Engine Cooling System & Fans, VWC & AC

Dep	Part Description	Remarks	Option	Part Number	Qty
01	Radiator Housing, Radiator, Condenser & Fans Assy.	For condenser see: 18.03	AC cars	A117P0095F	1
02	Radiator Housing		AC cars, 111/111S	A117B0456F	1
03	Radiator		AC cars, 111/111S	A117K0003H	1
04	Radiator Cooling Fan		AC cars, 111/111S	A111M6070F	2
05	Shroud, radiator, RH		AC cars, 111/111S	B117B0152F	1
06	Shroud, radiator, LH		AC cars, 111/111S	B117B0241F	1
07	Screw, M5 x 16, hex. hd., shroud fix.		Common	A075W1085F	4
08	Foam, condenser to housing rear edge		AC cars	A117B0446F	1
09	Foam, condenser to housing sides	RH remove pre-cut slots	AC cars	C117B0282F	2
10	Bracket, radiator to housing, front		AC cars, 111/111S	A117K0005F	2
11	Bracket, radiator to housing, rear		AC cars, 111/111S	A117K0006F	2
12	Spreader Plate, front bracket to housing		AC cars, 111/111S	A117P0102F	2
13	Spreader Plate, rear bracket to housing		AC cars, 111/111S	A117P0117F	2
14	Bolt, M8 x 16, fig. hd., brackets to radiator/housing		AC cars, 111/111S	A117W2202F	18
15	Hose, pipe to radiator, RH	Includes bleed valve	AC cars, 111/111S	A117K0008F	1
16	Hose, pipe to radiator, LH		AC cars, 111/111S	A117K0015F	1
17	Hose Clip, hose to radiator/chassis pipe		Common	A075M6145F	4
18	Nyloc Nut, M5, fan to condenser		AC cars, 111/111S	A075W3008Z	4

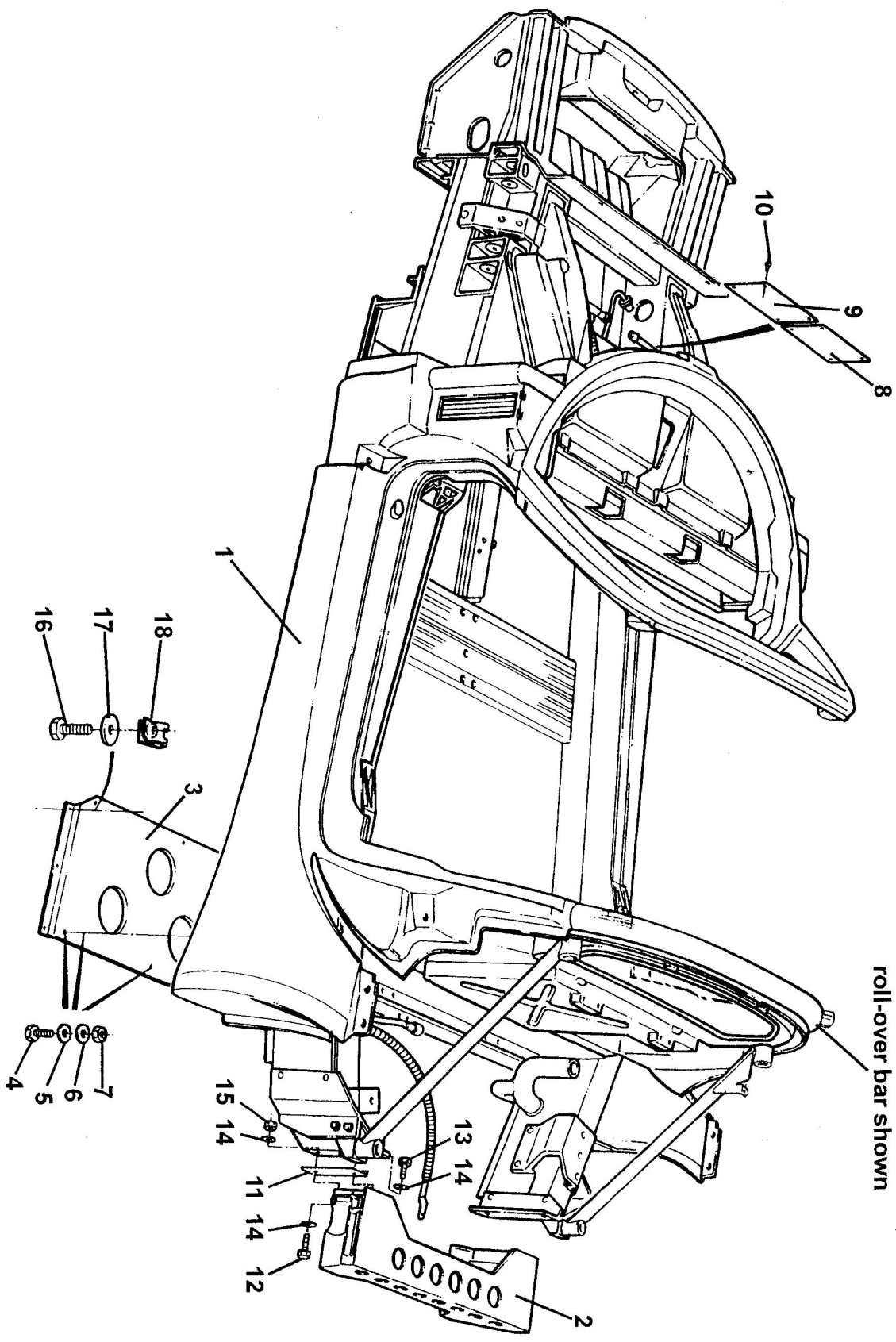


Function Code 46.01b Engine Cooling System & Fans, VVC & AC

<u>Dep</u>	<u>Part Description</u>	<u>Remarks</u>	<u>Option</u>	<u>Part Number</u>	<u>Qty</u>
19	Washer, flat, M5 x 18 x 1.4, S/S, fan to condenser		AC cars, 111/111S	B075W4009Z	4
20	Hose, re-circ. pump to engine		AC cars, 111/111S	A117K0010F	1
21	Hose Clip, hoses to pump spigots/engine		AC cars, 111/111S	A116K6015F	3
22	Recirculation Pump		AC cars, 111/111S	A117K0013FF	1
23	Bracket Assembly, re-circ. pump mounting	Includes rubber insert	AC cars, 111/111S	A117K0009F	1
24	Bolt, M6 x 16, fig. hd., pump clamping		AC cars, 111/111S	A918W5208F	1
25	Bolt, M8 x 25, fig. hd., bracket fixing		AC cars, 111/111S	A116W5238F	2
26	Hose, coolant bypass	VVC cars with oil cooler	AC or heater 111/111S	A117K0018F	1
26a	Hose, coolant bypass	Not illustrated	AC standard car	A117K0012K	1
27	Bracket, fans to radiator		111/111S heater	A117K	2
28	Screw, M6 x 16, hex. hd., bracket to radiator		111/111S heater	A075W1028Z	8
29	Washer, flat, M6 x 12, bracket to radiator		111/111S heater	A075W4013Z	16
30	Nyloc Nut, M6, bracket to radiator		111/111S heater	A075W3009Z	8
31	Valve, de-gas to header tank		Common	A111K6007S	1
32	Hose Clip, valve to bypass hose			A116K6016F	1

Note: for parts common to all models; see 46.01

C117A0057F (long soft top)
roll-over bar shown



ELISE
30.01

Service Parts List **CELISCE**



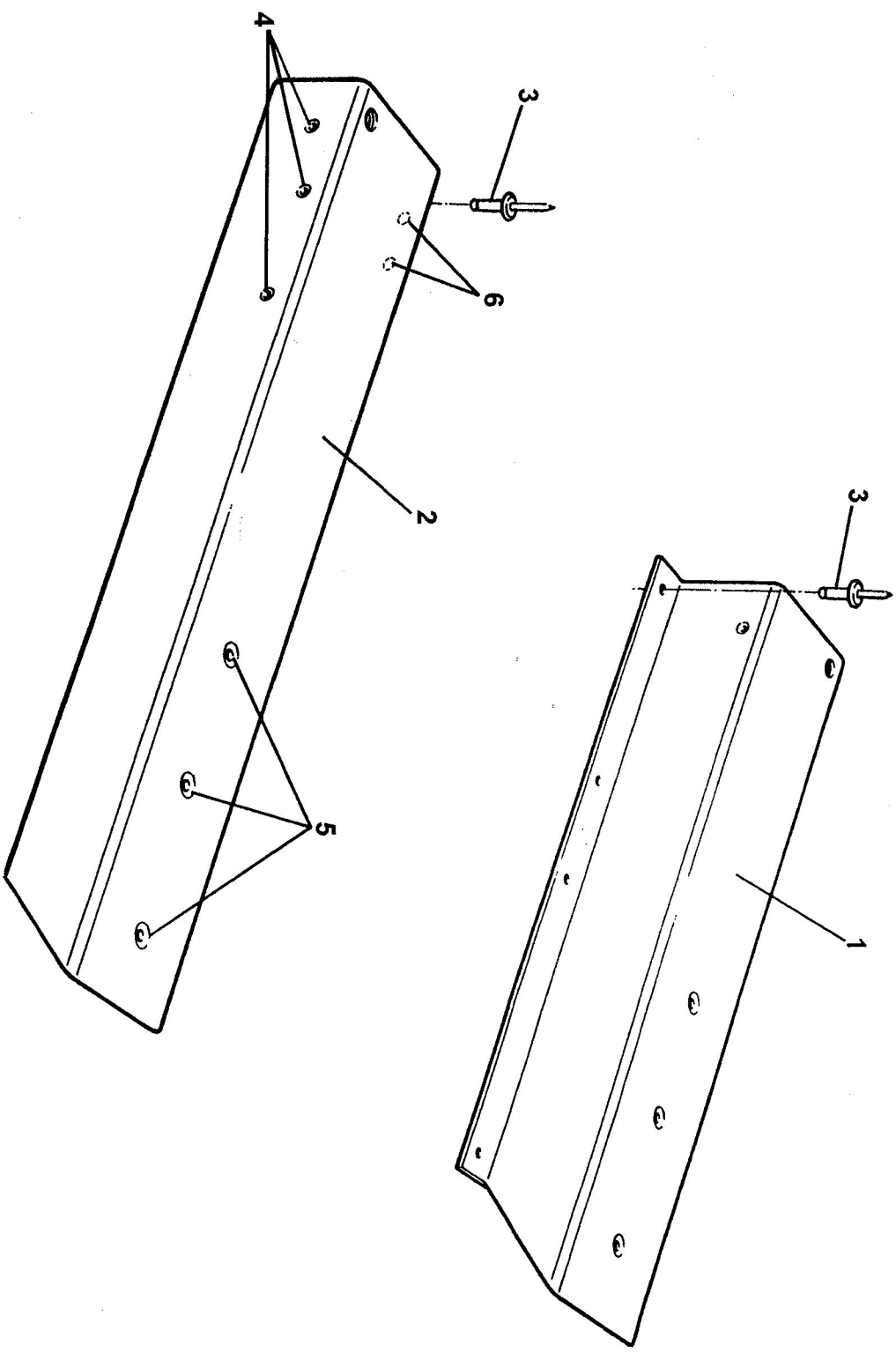
Function Code 30.01 Chassis, Subframe

<u>Dep</u>	<u>Part Description</u>	<u>Remarks</u>	<u>Option</u>	<u>Part Number</u>	<u>Qty</u>
01	Partial Body Assembly, RHD	Prior to May 2002 approx.	Long soft top	A117A0128S	1
01a	Partial Body Assembly, LHD	Prior to May 2002 approx.	Long soft top	A117A0127S	1
01b	Partial Body Assembly, RHD	From May 2002 approx.	Standard car, short soft top	B117A0128S	1
01c	Partial Body Assembly, LHD	From May 2002 approx.	Standard car, short soft top	B117A0127S	1
01d	Partial Body Assembly, heater, RHD	Screen baffle panel for FLV	111/111S	A117A0182S	1
01e	Partial Body Assembly, heater, LHD	Screen baffle panel for FLV	111/111S	A117A0183S	1
01f	Partial Body Assembly, AC, RHD	Includes AC pipes in RH sill	All models	A117A0184S	1
01g	Partial Body Assembly, AC, LHD	Includes AC pipes in RH sill	All models	A117A0185S	1
02	Rear Sub Frame, galvanised	Order rear longerons also, see 30.19		G111A0057F	1
03	Shear Panel, fuel tank bay closing panel			D111A0065F	1
04	Screw, M8 x 25, hex. hd., shear panel fix			A111W1156F	10
05	Washer, flat, M8 x 21 x 1.6			A111W4159F	10
06	Washer, flat, M8 x 16.6 x 1.4			A111W4164F	5
07	Nyloc Nut, M8			A907E62844F	5
08	Blanking Panel, RH, toe board air vents		Heater cars	A111P0490K	1
09	Blanking Panel, LH, toe board air vents		Heater cars	A111P0489K	1
10	Pop Rivet, blanking panel fix			A085W6259F	8
11	Shim, chassis to subframe, LH			B111A0217F	1



Function Code 30.01 Chassis, Subframe

<u>Dep</u>	<u>Part Description</u>	<u>Remarks</u>	<u>Option</u>	<u>Part Number</u>	<u>Qty</u>
11a	Shim, chassis to subframe, RH			B111A0216F	1
12	Bolt, M10 x 55, hex. hd.			A111W2181F	2
13	Screw, M10 x 25, hex. hd.			A111W1157F	2
14	Washer, flat, M10 x 20.5 x 1.8			A075W4024Z	8
15	Nut, M10, flg. hd.			A111W3151F	4
16	Setscrew, M5 x 16, hex. hd., shear panel to chassis/sill	Also see 10.25		A111W1163F	6
17	Washer, flat, M5 x 25 x 1.4	Also see 10.25		A082W4098F	6
18	Spirenut, M5	Also see 10.25		B100W6372F	6
19	Grommet, blanking, unused steering column hole	Not illustrated		A111A6003F	1



ELISEE

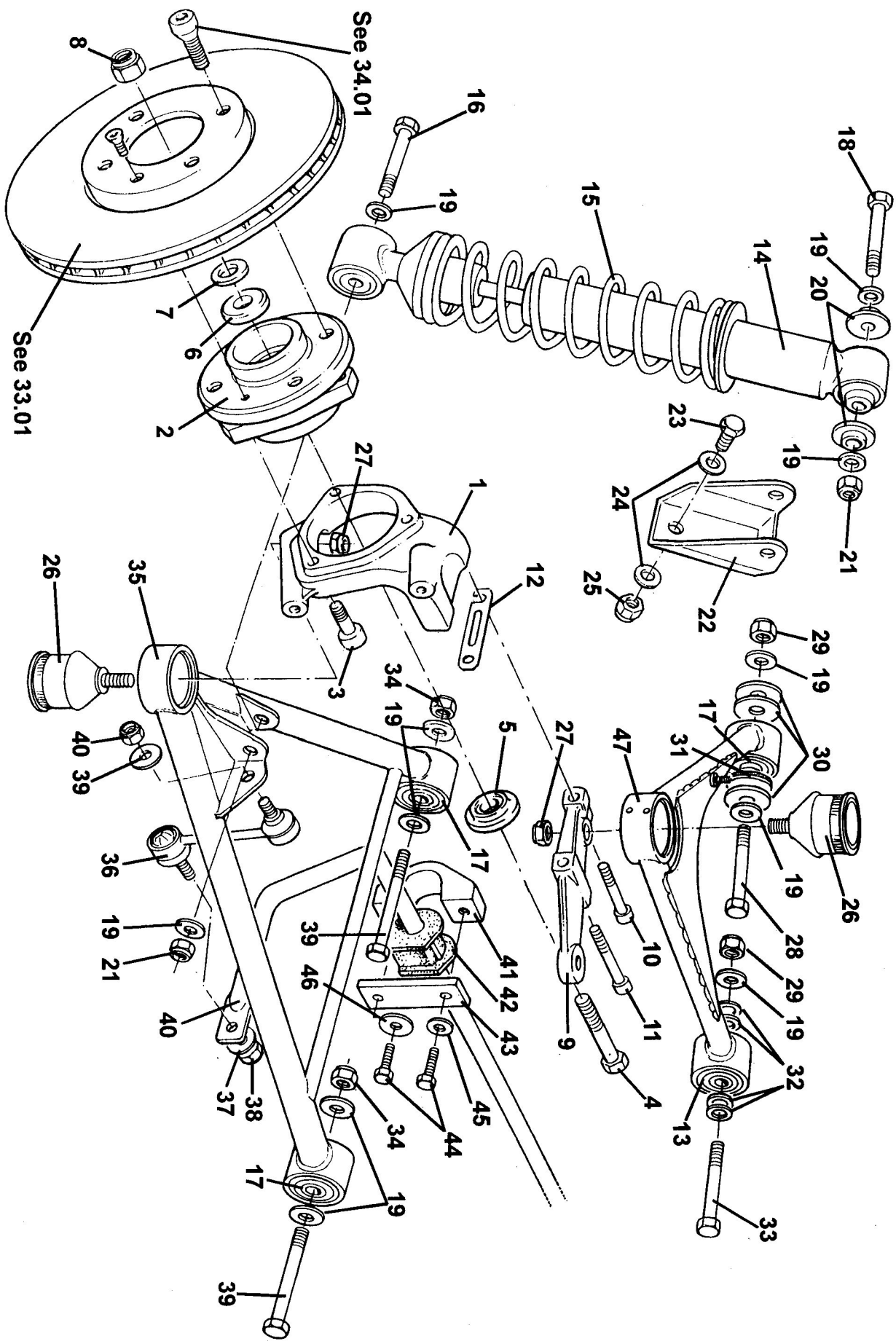
30.19

Service Parts List **CELISSE**



Function Code 30.19 Longerons

<u>Dep</u>	<u>Part Description</u>	<u>Remarks</u>	<u>Option</u>	<u>Part Number</u>	<u>Qty</u>
01	Longeron, LH	Required with new subframe		E117A0033F	1
02	Longeron, RH	Required with new subframe		D117A0034F	1
03	Pop Rivet, 6.4 x 20,			A111W6593F	6
04	Rivnut, M6 x 1, countersunk hd.			A111W6536H	8
05	Pulsert, M6 flat hd.			A079W6191F	6
06	Rivnut, M5 x 0.8 countersunk hd			A111W6566H	2



ELISE
31.01

Service Parts List **CELISSE**



Function Code 31.01 Front Suspension Incl. Hubs

<u>Dep</u>	<u>Part Description</u>	<u>Remarks</u>	<u>Option</u>	<u>Part Number</u>	<u>Qty</u>
01	Hub Carrier, forged steel, LH			A116C0001F	1
01a	Hub Carrier, forged steel, RH			A116C0002F	1
02	Hub/Bearing Assembly			A117C6002F	2
03	Screw, M12 x 40, cap hd., hub assy. to hub carrier			A116W1170F	6
04	Bolt, M16 x 100, hex. hd., hub retention			A111W2185F	2
05	Thrust Washer, inner, hub retention			A111C0118F	2
06	Thrust Washer, outer, hub retention			A111C0117F	2
07	Washer, flat, M16 x 30			A111W4171F	2
08	Nyloc Nut, M16, hub retention			A111W3159F	2
09	Steering Arm, LH			A116C0003F	1
09a	Steering Arm, RH			A116C0004F	1
10	Bolt, M10 x 45, cap hd., steering arm to hub carrier			A111W7155F	2
11	Bolt, M10 x 65, cap hd., steering arm to hub carrier			A111W7144F	2
12	Shim, 1mm, camber adjustment			A111C0062F	As req.
12a	Shim, 3mm, camber adjustment			C111C0064F	As req.
13	Bush, upper wishbone rear pivot			A111C0108F	2
14	Damper			D117C0007H	2
15	Road Spring			A117C0006H	2



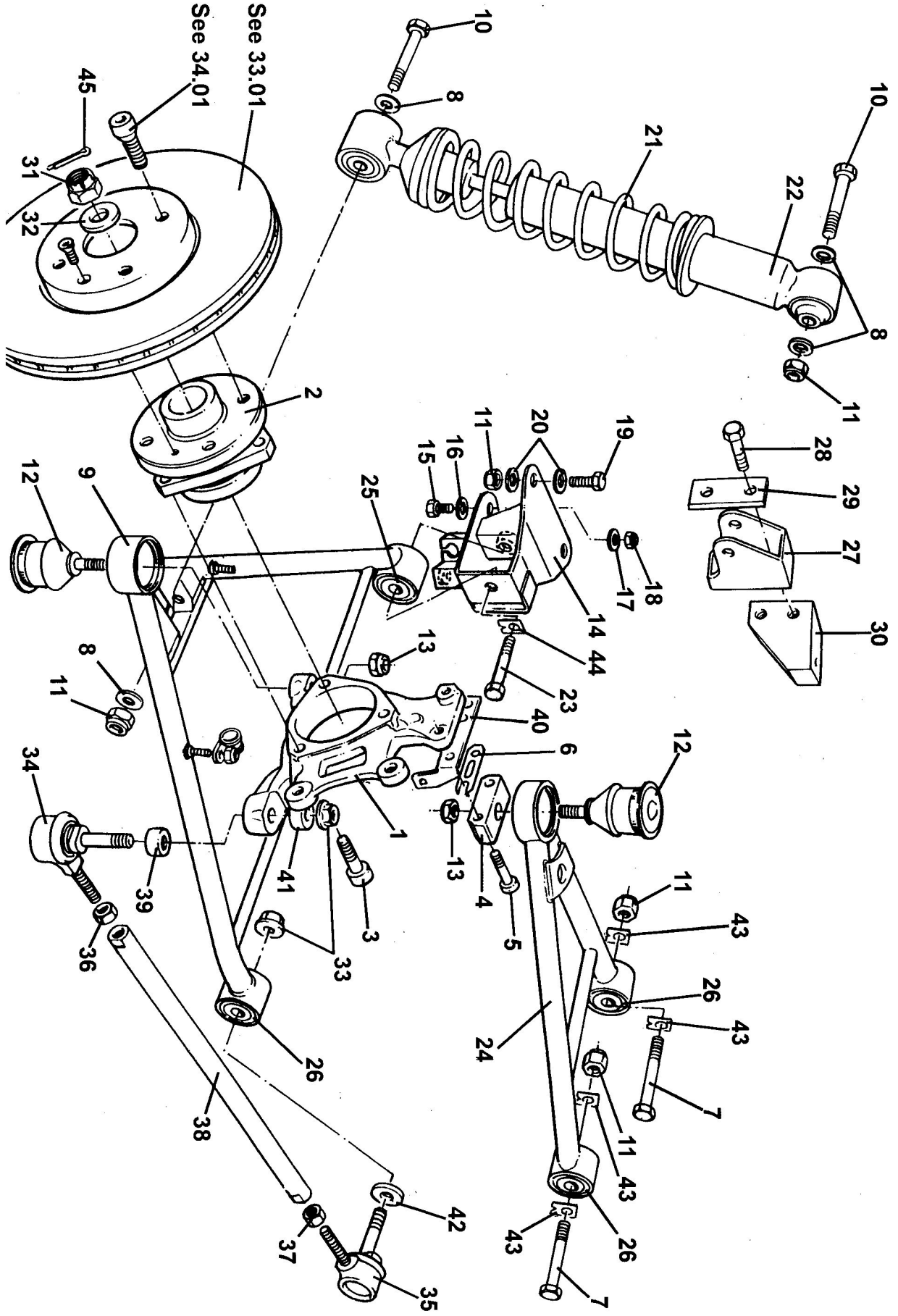
Function Code 31.01 Front Suspension Incl. Hubs

<u>Dep</u>	<u>Part Description</u>	<u>Remarks</u>	<u>Option</u>	<u>Part Number</u>	<u>Qty</u>
16	Bolt, M10 x 55, hex. hd., damper bottom fix.			A079W2057F	2
17	Bush, lower wishbone/upper wishbone front pivots			A111C0075F	6
18	Bolt, M10 x 70, hex. hd., damper top fix.			A075W2058Z	2
19	Washer, flat, M10 x 20 5 x 1.8			A075W4024Z	22
20	Spacer, damper to top mounting bracket			A111C0061F	4
21	Nyloc Nut, M10, damper fixings			A100W3112F	4
22	Damper Mounting Bracket, LH			B111C0033F	1
22a	Damper Mounting Bracket, RH			B111C0034F	1
23	Bolt, M8 x 25, hex. hd., bracket to chassis			A111W1156F	4
24	Washer, flat, M8 x 16.6, bracket to chassis			A111W4164F	4
25	Nyloc Nut, M8, bracket to chassis			A075W3010Z	4
26	Ball Joint	Includes nyloc nut		B111C6012F	4
27	Nyloc Nut, ball joint fix			A111C6019S	2
28	Pivot Bolt, M10 x 80, hex. hd., wishbone upper front			A075W2061Z	2
29	Nut, nyloc, M10, wishbone upper to chassis			A100W3112F	4
30	Shim, castor adjustment			A111C0077F	6
31	Snubber Washer, rubber coated, upper wishbone			A111C0081F	2
32	Shim, castor adjustment, small			A111C0080F	8
33	Pivot Bolt, M10 x 75mm, hex. hd., wishbone upper rear			A075W2059Z	2
34	Nut, nyloc, M10, wishbone lower to chassis fix			A100W3112F	4
35	Wishbone Assembly, lower, LH	Includes balljoint & bushes		A117C0035J	1

ELISE

Function Code 31.01 Front Suspension Incl. Hubs

<u>Dep</u>	<u>Part Description</u>	<u>Remarks</u>	<u>Option</u>	<u>Part Number</u>	<u>Qty</u>
35a	Wishbone Assembly, lower, RH	Includes balljoint & bushes		A117C0034J	1
36	Anti-Roll Bar Drop Link			A111C0063F	2
37	Washer, flat, M10 x 24 x 1.5, drop link fix			A075W4023F	4
38	Nyloc Nut, M10 x 1.25, drop link fix			A111W3152F	4
39	Pivot Bolt, M10 x 85, hex. hd., wishbone lower			A079W2063F	4
40	Anti-Roll Bar			A111C0111F	1
41	Clamp Bracket, A/R bar			A111C0107F	2
42	Pivot Bush, rubber, A/R bar.			A111C0094F	2
43	Spacer Plate, A/R bar fixing			A111C0109F	2
44	Screw, M8 x 30, A/R bar clamp bracket fixing			A111W1161F	4
45	Washer, flat, M8			A111W4169F	2
46	Washer, flat, M8 x 25 x 1.4			A111W4156F	2
47	Wishbone assembly, upper LH	Includes balljoint & bushes		A117C0029J	1
47a	Wishbone assembly, upper RH	Includes balljoint & bushes		A117C0030J	1



See 33.01

See 34.01

Service Parts List **CELISCE**



Function Code 31.03 Rear Suspension Incl. Hubs

<u>Dep</u>	<u>Part Description</u>	<u>Remarks</u>	<u>Option</u>	<u>Part Number</u>	<u>Qty</u>
01	Hub Carrier, forged steel, LH			A116D0001F	1
01a	Hub Carrier, forged steel, RH			A116D0002F	1
02	Hub/Bearing Assembly, LH	Includes wheel speed sensor		A117D6005F	1
02a	Hub/Bearing Assembly, RH	Without wheel speed sensor	A117D6005F R/B	A117D6002F	1
03	Screw, M12 x 40, cap hd., hub assy. to hub carrier			A116W1170F	6
04	Ball Joint Carrier			B111D0055F	2
05	Bolt, M10 x 50, cap hd., ball joint carrier to hub carrier			A111W1745F	4
06	Shim, camber adjustment			D111D0052F	As req.
07	Pivot Bolt, M10 x 55, hex. hd., upper wishbone F & R			A079W2057F	4
08	Washer, flat, M10 x 20.5			A075W4024Z	22
09	Lower Wishbone Assembly, LH	Includes balljoint & bushes		A117D0047J	1
09a	Lower Wishbone Assembly, RH	Includes balljoint & bushes		A117D0046J	1
10	Bolt, M10 x 55, hex. hd., spring/damper fixing			A079W2057F	4
11	Nyloc Nut, M10, 8.8 grade			A100W3112F	12
12	Ball Joint	Includes nyloc nut		B111C6012F	4
13	Nyloc Nut, balljoint			A111C6019S	4
14	Bracket, lower wishbone to chassis, LH			A117D0059F	1
14a	Bracket, lower wishbone to chassis, RH			A117D0060F	1



Function Code 31.03 Rear Suspension Incl. Hubs

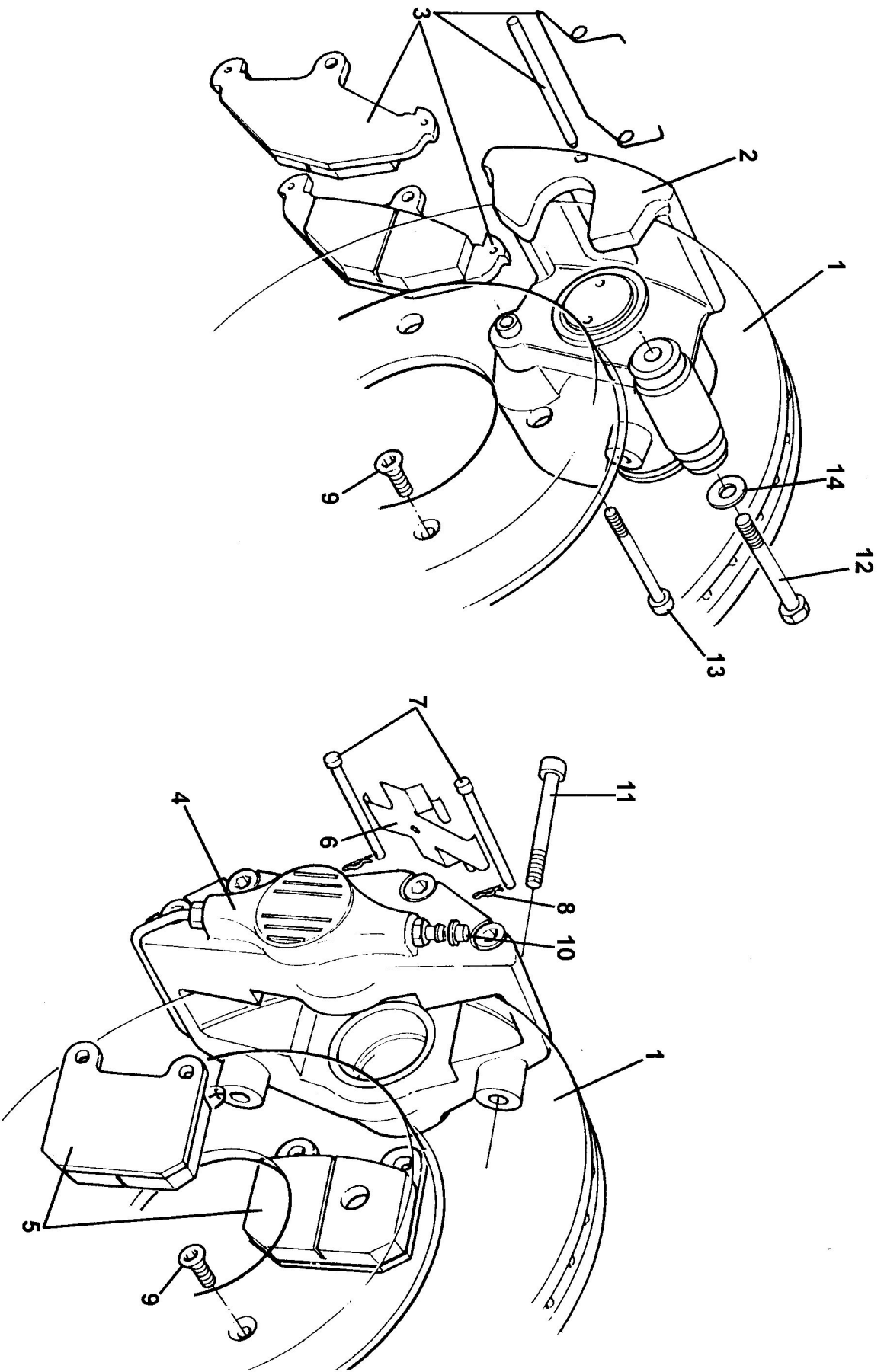
Dep	Part Description	Remarks	Option	Part Number	Qty
15	Bolt, M8, bracket to chassis			A111W1156F	4
16	Washer, flat, lower, M8 x 16.6 x1.4			A111W4164F	4
17	Washer, flat, upper, M8 x 20.5 x 1.5 S/S			A111W4176F	4
18	Nyloc Nut, M8			A907E6284F	4
19	Screw, M10 x 25, hex. hd., bracket to chassis			A111W1157F	4
20	Washer, flat, M10			A111W4163F	4
21	Road Spring			A117D0056H	2
22	Damper			D117D0009H	2
23	Pivot Bolt, M10 x 65, hex. hd., lower wishbone front			A075W2056F	2
24	Upper Wishbone Assembly, LH	Includes balljoint & bushes		A117D0033J	1
24a	Upper Wishbone Assembly, RH	Includes balljoint & bushes		A117D0034J	1
25	Bush, lower wishbone front pivot (short)			A111D0061F	2
26	Bush, lower wishbone rear/upper wishbones			A111C0075F	6
27	Bracket, damper top mount			A117D0058F	2
28	Screw, M10 x 30, hex. hd., damper bracket to chassis			A111W1158F	4
29	Spreader Plate, damper bracket			A117D0065F	2
30	Adaptor Block, bracket to chassis, LH			A111A0003F	1
30a	Adaptor Block, bracket to chassis, RH			A111A0002F	1
31	Nut, castellated, shaft to hub			A116D6001F	2
32	Washer, flat, nut to shaft			A116D6002F	2
33	Locknut, flange, cleave, M10, 10.9 grade, toe link fixing	Torque to 74 Nm*	A111W3151F R/B	A117W3177F	4

ELISE

Function Code 31.03 Rear Suspension Incl. Hubs

<u>Dep</u>	<u>Part Description</u>	<u>Remarks</u>	<u>Option</u>	<u>Part Number</u>	<u>Qty</u>
34	Ball Joint, outer, RH thread			A116D0034F	2
35	Ball Joint, inner, LH thread			A116D0035F	2
36	Locknut, M12, RH thread, ball joint to rod			A111W3150F	2
37	Locknut, M12, LH thread, ball joint to rod			A111W3149F	2
38	Toe Link Rod			A111D0137F	2
39	Selective Spacer, 6mm, bump steer adjusting			A116D0036F	2
39a	Selective Spacer, 7mm, bump steer adjusting			A116D0037F	2
39b	Selective Spacer, 8mm, bump steer adjusting	Factory fitted		A116D0038F	2
39c	Selective Spacer, 9mm, bump steer adjusting			A116D0039F	2
39d	Selective Spacer, 10mm, bump steer adjusting			A116D0040F	2
39e	Selective Spacer, 11mm, bump steer adjusting			A116D0041F	2
40	Shim/Bracket, connector retaining, LH		A116C0013F R/B	A117D0071F	1
40a	Shim, camber adjustment, RH		Replaces shim/bracket (not req.)	D111D0052F	1
41	Spacer, 10mm, balljoint stud to nut			A111D0147F	2
42	Washer, spacer, ball joint stud to subframe	Anti-rotation washer deleted*	A117A0106F R/B	A117W0118F	2
43	Tab Washer, upper pivot bolts			A116D0031F	8
44	Tab Washer, lower front pivot bolt			A116D0032F	2
45	Split Pin, nut to shaft			A116D6003F	2
46	Permabond A134, nuts to toe link studs	Not illustrated		A100B6155V	As req.

*See Service Notes section: DG



ELISE
33.01

Service Parts List **CELISSE**



Function Code 33.01 Brake Discs & Calipers

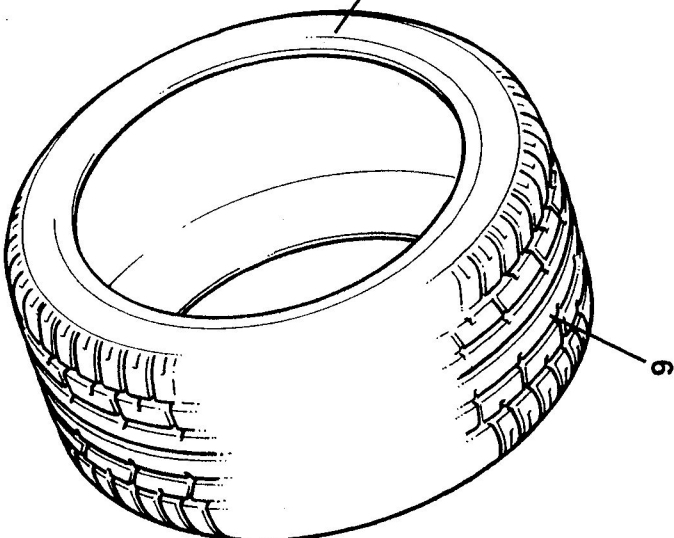
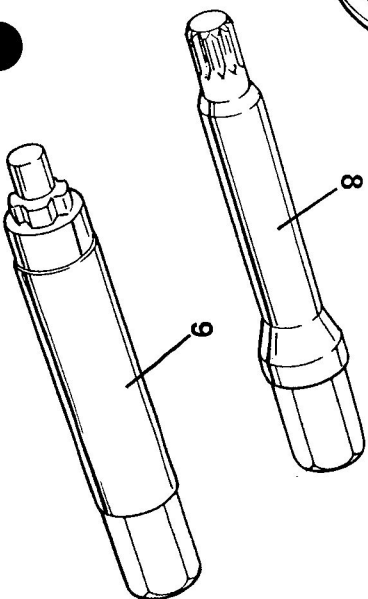
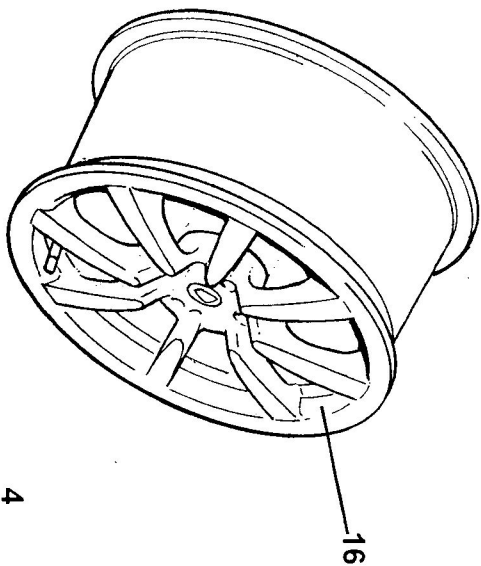
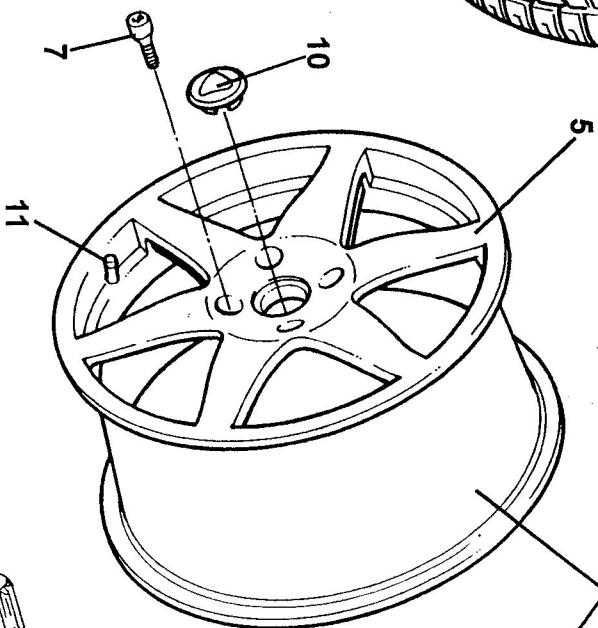
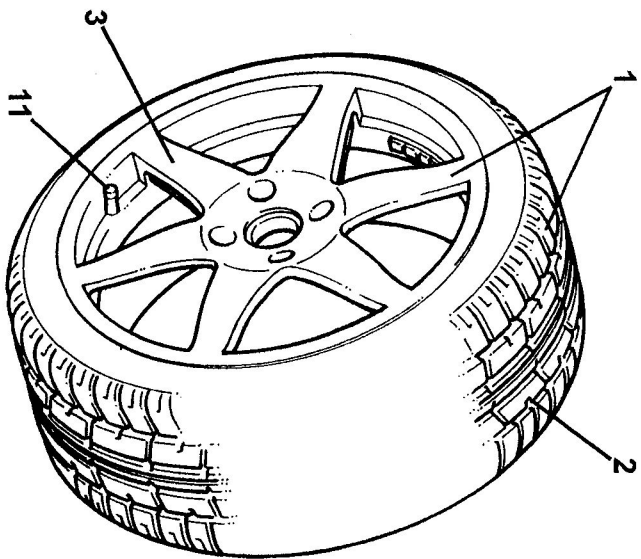
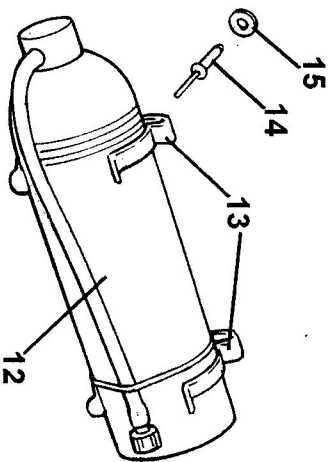
<u>Dep</u>	<u>Part Description</u>	<u>Remarks</u>	<u>Option</u>	<u>Part Number</u>	<u>Qty</u>
01	Brake Disc		Standard	B117J0028F	4
01a	Brake Disc, cross drilled		Sports Tourer/Race Tech	A117J0031F	4
02	Brake Caliper, rear, RH	Includes brake pads		A117J0014F	1
02a	Brake Caliper, rear, LH	Includes brake pads		A117J0013F	1
03	Brake Pad , rear			B116J0009H	4
04	Brake Caliper, front RH	Includes brake pads	Standard	A117J0012F	1
04a	Brake Caliper, front LH	Includes brake pads	Standard	A117J0011F	1
04b	Brake Caliper, front, black, RH	Includes brake pads	Sports Tourer/Race Tech	A117J0034F	1
04c	Brake Caliper, front, black, LH	Includes brake pads	Sports Tourer/Race Tech	A117J0035F	1
05	Brake Pad, front			A116J0008H	4
06	Anti-Rattle Spring, front brake pads			A111J0098F	2
07	Pin, front pad retaining			A111J0101S	4
08	' R' clip, pin retention			A075W6175F	4
09	Screw, M6 x 16, csk., skt., hd., disc to hub			A918W7120F	4
10	Nipple Cover, front brake bleed			A111J6029F	2
11	Bolt, M10 x 65, cap hd., front caliper fixing			A111W7144F	4
12	Bolt, M10 x 80, hex. hd., rear caliper fixing			B082W1113F	2
13	Bolt, M8 x 60, cap hd., rear caliper fixing			B082W1114F	2



Function Code 33.01 Brake Discs & Calipers

<u>Dep</u>	<u>Part Description</u>	<u>Remarks</u>	<u>Option</u>	<u>Part Number</u>	<u>Qty</u>
14	Washer, flat, M10 x 20.5, rear caliper upper fixing bolt			A075W4024Z	2
15	Sliding Pin Bush Kit, rear calipers	Includes sleeves, boots & seals		A082J6162S	2
16	Piston Retraction Tool, rear calipers	Not illustrated		T000T1242F	1

ELISE
34.01



Service Parts List **CELISCE**



Function Code 10.04 Crash Structures

<u>Dep</u>	<u>Part Description</u>	<u>Remarks</u>	<u>Option</u>	<u>Part Number</u>	<u>Qty</u>
01	Front Crash Structure Assembly			B116B0225K	1
02	Panel, front undershield			B117B0237F	1
03	Spirenut, M6, undershield fix			B100W6372F	6
04	Screw, M6 x 25, pozi., undershield fix			A075W5089Z	9
05	Washer, spring, M6, undershield fix			A075W4035Z	9
06	Washer, flat, M6 x 15 x 1.5, undershield fix			A075W4015Z	9
07	Alloy Plate. LH			A111B0531F	1
07a	Alloy Plate, RH			A111B0530F	1
08	Pop Rivet, plate fix.			A085W6259F	6
09	Washer, flat, 3/16" x 1/2", plate to crash structure			A075W4000Z	4
12	Betaseal 1701, crash structure bonding	Not illustrated		A082B6281F	300mm

Function Code 34.01 Wheels, Tyres & Valves

<u>Dep</u>	<u>Part Description</u>	<u>Remarks</u>	<u>Option</u>	<u>Part Number</u>	<u>Qty</u>
07	Wheel Bolt			B117G6000F	12
08	Wheel Bolt Adaptor, standard bolt			A117G0036F	1
09	Security Wheelbolt Kit	Incl. ID strip & instruction card*		A117G0043F	1
10	Wheel Centre Cover, Lotus logo			A082G4112F	4
11	Tyre Valve			A117G6007H	4
12	Tyre Weld, repair canister			A116G6009F	1
13	Terry Clip, cannister retaining			A111W6590F	2
14	Pop Rivet, clip to bulkhead			A075W6090Z	4
15	Washer, flat, clip to bulkhead			A075W4084F	4
16	Road Wheel, front, eight spoke, silver 5.5J x 16	May be used on standard car	111	B117G0026H	2
16a	Road Wheel, rear, eight spoke, silver, 7.5J x 17	May be used on standard car	111	B117G0027H	2
16b	Road Wheel, front, eight spoke, H P silver 5.5J x 16	May be used on standard car	111S	A117G0087H	2
16c	Road Wheel, rear, eight spoke, H P silver, 7.5J x 17	May be used on standard car	111S	A117G0088H	2
17	Adhesive Foam	Not illustrated		A111P6044V	200mm

*For replacement bolt keys
contact Technical Service
quoting ID code

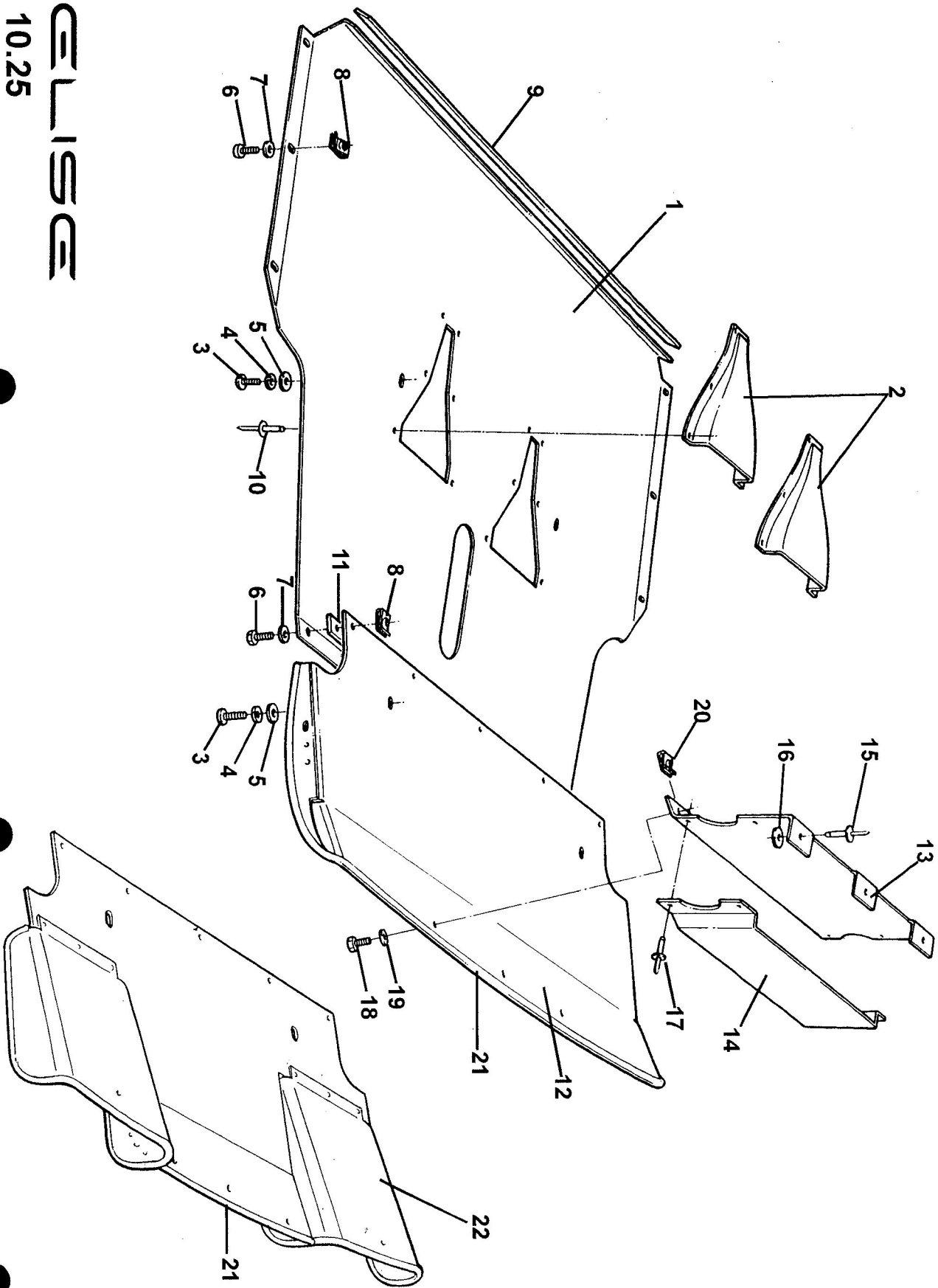
Function Code 34.01 Wheels, Tyres & Valves

<u>Dep</u>	<u>Part Description</u>	<u>Remarks</u>	<u>Option</u>	<u>Part Number</u>	<u>Qty</u>
07	Wheel Bolt			B117G6000F	12
08	Wheel Bolt Adaptor, standard bolt			A117G0036F	1
09	Security Wheelbolt Kit	Incl. ID strip & instruction card*		A117G0043F	1
10	Wheel Centre Cover, Lotus logo			A082G4112F	4
11	Tyre Valve			A117G6007H	4
12	Tyre Weld, repair canister			A116G6009F	1
13	Terry Clip, cannister retaining			A111W6590F	2
14	Pop Rivet, clip to bulkhead			A075W6090Z	4
15	Washer, flat, clip to bulkhead			A075W4084F	4
16	Road Wheel, front, eight spoke, silver 5.5J x 16	May be used on standard car	111	B117G0026H	2
16a	Road Wheel, rear, eight spoke, silver, 7.5J x 17	May be used on standard car	111	B117G0027H	2
16b	Road Wheel, front, eight spoke, H P silver 5.5J x 16	May be used on standard car	111S	A117G0087H	2
16c	Road Wheel, rear, eight spoke, H P silver, 7.5J x 17	May be used on standard car	111S	A117G0088H	2
17	Adhesive Foam	Not illustrated		A111P6044V	200mm

*For replacement bolt keys
contact Technical Service
quoting ID code

ELISE

10.25



Service Parts List



Function Code 10.25 Undertray & Diffuser

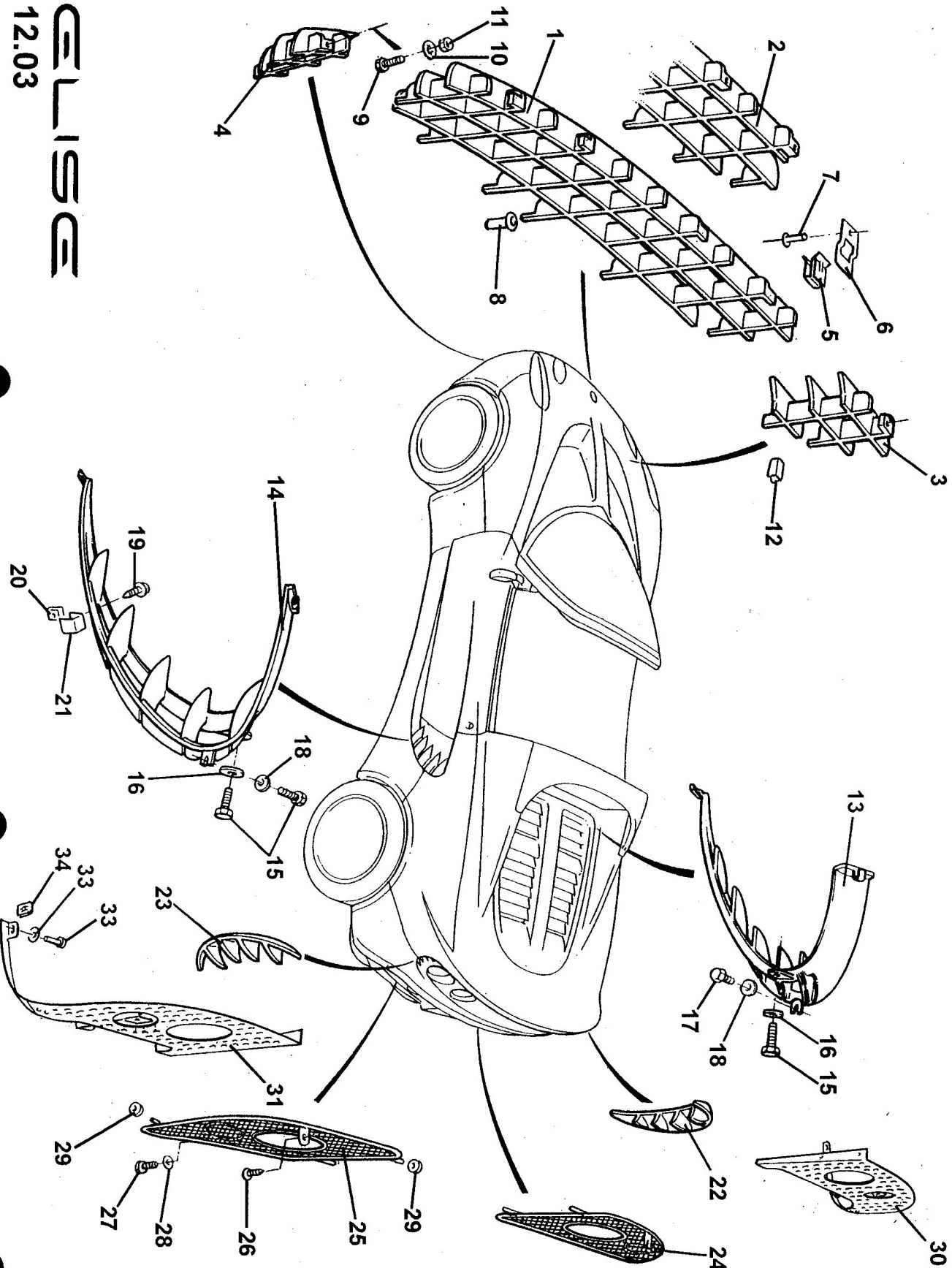
Dep	Part Description	Remarks	Option	Part Number	Qty
01	Undertray	Without NACA ducts		B117A0036F	1
01a	Undertray Assembly	With NACA ducts		A117A0056J	1
02	NACA Duct	Part of item 1		A111A0218K	2
03	Screw, M8 x 25, button hd.			A111W7175F	4
04	Washer, spring, M8			A075W4036Z	4
05	Washer, flat, M8 x 25 x 1.4 mm			A075W4021Z	4
06	Screw, M5 x 16, hex. hd.			A111W1163F	11
07	Washer, flat, M5 x 25 mm x 1.4			A082W4098F	11
08	Spire Nut, M5			B100W6372F	11
09	Foam Strip, self adhesive, 10mm x 6mm			A100B0431V	As req.
10	Pop Rivet, NACA duct fix.			A075W6065Z	12
11	Foam Strip, self adhesive, 19mm x 3mm			A082U6067F	3
12	Diffuser, single element		Standard car	A117A0102J	1
13	Support Plate, diffuser		Standard car	B117B0270K	1
13a	Support Plate, diffuser, three element	Used with item 14a	111/111S	A117A0142F	1
14	Panel, license plate mounting		Standard car	B117B0271K	1
14a	Panel, license plate mounting, deep	Fits support plate, item 13a	111/111S	A117A0143F	1
15	Pop Rivet, plate to clamshell			A089W6397F	3



Function Code 10.25 Undertray & Diffuser

<u>Dep</u>	<u>Part Description</u>	<u>Remarks</u>	<u>Option</u>	<u>Part Number</u>	<u>Qty</u>
16	Washer, flat, 3/16" x 0.75"			B075W4009Z	3
17	Pop Rivet, domed. black, license plate panel to plate			A082W6512F	3
18	Screw, M5 x 16, hex. hd. SS, diffuser to plate			A111W1163F	3
19	Washer, flat, 3/16 x 0.75, SS			B075W4009Z	3
20	Spirenut, M5			B100W6372F	3
21	Edging Strip. diffuser			A117A0050V	As req.
22	Diffuser, three element		111/111S	A117A0137F	1

CELISGE



ELISE
12.03

Service Parts List **CELISSE**



Function Code 12.03 Grilles and Louvres

<u>Dep</u>	<u>Part Description</u>	<u>Remarks</u>	<u>Option</u>	<u>Part Number</u>	<u>Qty</u>
01	Grille, front intake, central, without driving lamps		Standard	F117B0114F	1
02	Grille, front intake, central, with driving lamps	For factory fitted lamps, 80mm wide lens*	Race Tech/Sports Tourer	B117B0317F	1
02a	Grille, front intake, central, with driving lamps	For dealer fitted lamps, 40mm dia. lens*	Race Tech	E117B0234F	1
03	Grille, front intake, LH			G117B0117F	1
04	Grille, front intake, RH			G117B0118F	1
05	Clip, central grille retention			A117W6003F	4
06	Bracket, clip to clamshell			A117B0328F	4
07	Pop Rivet, 3.2mm x 11mm, black, bracket to clamshell			A082W6512F	4
08	Receptacle, grille spigots to clamshell	Replaces grommet	X036B6010Z R/B	A117B6004F	4
09	Screw, M5 x 16, hex. hd., outer grilles to clamshell	Black finish		A082W1088R	2
10	Washer, shakeproof, M5, outer grilles to clamshell			A075W4045Z	2
11	Nut, M5, outer grilles to clamshell			A082W3084F	2
12	Clip, outer grilles retention			C117B0235F	2
13	Grille, side intake, RH			E117B0126F	1
14	Grille, side intake, LH			E117B0125F	1
15	Screw, M6 x 16, hex. hd., side grille to clamshell			A075W1028Z	3
16	Washer, flat, M6 x 25, side grille to clamshell			B075W4017Z	2

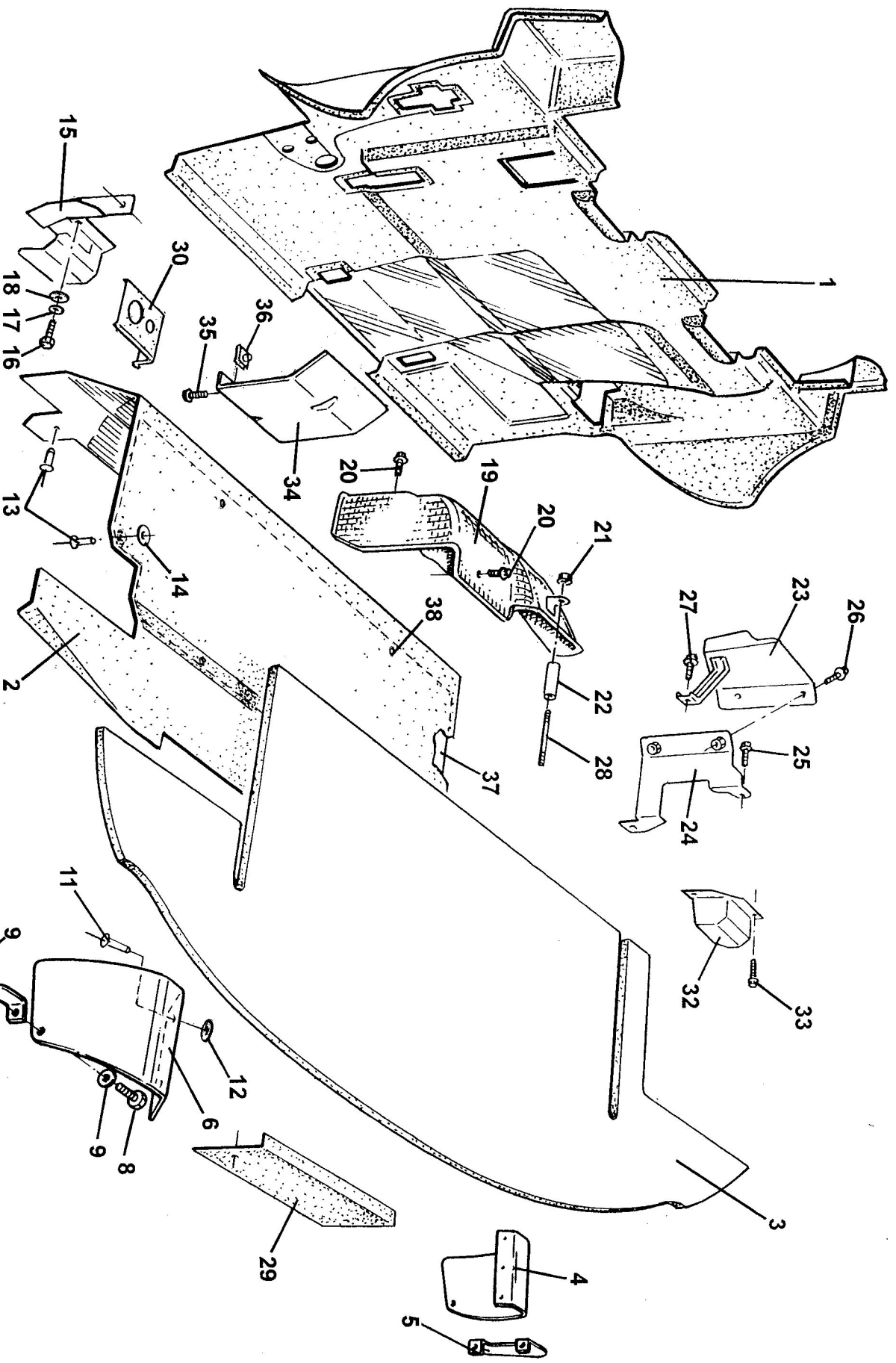


Function Code 12.03 Grilles and Louvres

Dep	Part Description	Remarks	Option	Part Number	Qty
15	Screw, M6 x 16, hex. hd., side grille to clamshell			A075W1028Z	3
16	Washer, flat, M6 x 25, side grille to clamshell			B075W4017Z	2
17	Screw, M6 x 12, hex. hd., RH side grille to clamshell			A075W1027Z	1
18	Washer, flat, M6 x 18, side grille to clamshell			B082W4018F	2
19	Screw, No.8 x 0.7, self tap., flg. hd., pozi., grille fix.			A075W5074Z	6
20	Spire Nut, No.8			A075W6016Z	6
21	Bracket, side grille mounting,	Bonded to sill panel		A117B0329F	2
22	Grille, rear transom, RH			C117B0134F	1
23	Grille, rear transom, LH			C117B0133F	1
24	Grille, rear body to diffuser, RH			A117B0268F	1
25	Grille, rear body to diffuser, LH			A117B0269F	1
26	Screw, M5 x 16, pan hd., pozi. upper grille to clamshell	Black finish		A082W5184F	2
27	Screw, M5 x 16, hex. hd. SS, lower grille to diffuser			A111W1163F	2
28	Washer, flat, 3/16" x 0.75", lower grille to diffuser			B075W4009Z	2
29	Grommet, grille spigots to clamshell			A082B6158F	6
30	Grille, perforated, rear body to diffuser, RH	Black finish	111, 111S	A117A0149F	1
31	Grille, perforated, rear body to diffuser, LH	Black finish	111, 111S	A117A0150F	1
32	Screw, M5 x 16, hex. hd. SS, Grille fixing		111, 111S	A111W1163F	6
33	Washer, flat, 3/16" x 0.75", grille fixing		111, 111S	B075W4009Z	6
34	Spirenut, M5, grille fixing		111, 111S	B100W6372F	6

*See 17.11





ELISE
45.05

Service Parts List



Function Code 45.05 Heatshields

<u>Dep</u>	<u>Part Description</u>	<u>Remarks</u>	<u>Option</u>	<u>Part Number</u>	<u>Qty</u>
01	Heatshield, bulkhead	From 111/111S introduction	D117S0023F R/B	F117S0023F	1
02	Heatshield, catalyst	From 111/111S introduction	A117S0040F R/B	B117S0040F	1
02a	Heatshield Assembly, catalyst	Includes alloy reflector item 37		A117S0059J	1
03	Heatshield, boot floor			A117U0254F	1
04	Heatshield, rear clamshell, RH			A117S0042K	1
05	Bracket, heatshield retention, LH	Bonded to clamshell		A117S0045F	1
06	Heatshield, rear clamshell, LH			A117S0043K	1
07	Bracket, heatshield retention, RH	Bonded to clamshell		A117S0044F	1
08	Screw, hex. hd., heatshield to bracket				4
09	Washer, flat				8
10	Nut				4
11	Pop Rivet, heatshield to longeron				4
12	Washer, flat, heatshield to longeron				4
13	Pop Rivet, 3/16", heatshields fix.			A089W6297F	6
14	Washer, flat				4
15	Heatshield, balljoint, LH			A111S0074F	1
16	Bolt, M6 x 16, hex. fig. hd., heatshield to subframe	Screw & washers R/B fig. hd. bolt	A075W1027Z R/B	A918W5208F	3
17	Washer, spring, M6	Screw & washers R/B fig. hd. bolt	A075W4035Z R/B	A918W5208F	3



Function Code 45.05 Heatshields

<u>Dep</u>	<u>Part Description</u>	<u>Remarks</u>	<u>Option</u>	<u>Part Number</u>	<u>Qty</u>
18	Washer, flat, M6 x 15 x 1.5	Screw & washers R/B flg. hd. bolt	A075W4015Z R/B	A918W5208F	3
19	Heatshield, exhaust manifold			A117E6004F	1
20	Screw, flg. hd., heatshield to manifold			A117W1174F	2
21	Nut., flange, M6 x 16. hex. hd., heatshield to head			A117W1169F	2
22	Spacer, exhaust heatshield support		A117E0026F R/B	A117E6059F	1
23	Heatshield, alternator				1
24	Bracket, heatshield to block			A111E6224F	1
25	Screw, flg. hd., bracket to block				2
26	Screw, flg. hd., heatshield to bracket				2
27	Screw, flg. hd., heatshield to block				1
28	Stud, heatshield to head			A117E6041S	1
29	Heatshield, clamshell support plate			A117S0041F	1
30	Heatshield/NVH Pad, fuel tank to chassis aperture	Fits around filler & breather pipes		B117S0046F	1
31	Clip, bulhead heatshield to bulkhead			A117S6003F	?
32	Heatshield, balljoint, RH		111/111S	A117S0058F	1
33	Bolt, M6 x 16, hex. flg. hd., heatshield to subframe		111/111S	A918W5208F	2
34	Heatshield, exhaust lower	Fitted to chassis crossrail	111/111S	A117S0060F	1
35	Bolt, M6 x 16, hex. flg. hd., heatshield to chassis		111/111S	A918W5208F	2
36	Captive Nut, M6, heatshield to chassis		111/111S	A117W3181F	2
37	Alloy Reflector, catalyst heatshield	Part of item 2a, from 111/111S intro.		A117S0057F	1

CELISCE

Function Code 45.05 Heatshields

<u>Dep</u>	<u>Part Description</u>	<u>Remarks</u>	<u>Option</u>	<u>Part Number</u>	<u>Qty</u>
38	Pop Rivet, 3/16", reflector to heatshield	Part of item 2a, from 111/111S intro.		A089W6297F	4